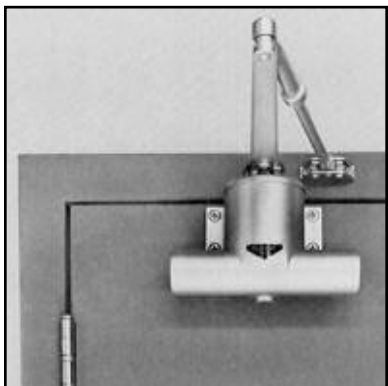


78 Series Door Closers



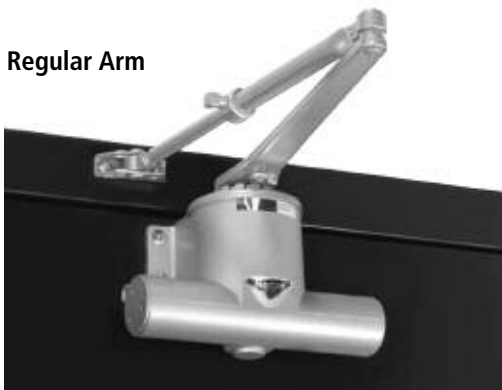
The Norton Series 78-B/F Traditional Surface Closers represent a combination of traditional styling and modern closer features. All closer sizes are contained within a single size aluminum alloy shell. Templates for installing this closer are the same for all closer sizes. In addition, only two springs are needed to accommodate the complete range of door sizes. Specify hand when ordering.

Features Include:

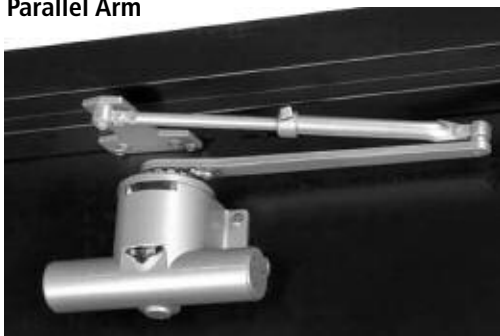
- **Aluminum Alloy Shell:** Norton closer shells are constructed of a special aluminum alloy, carefully selected to accommodate individual closer characteristics and operating conditions.
- **Adjustable Spring Power:** Clock-type coil spring affords a wide range of closer power. Permits a fine adjustment of the closer to the environment.
- **Rack and Pinion Operation:** Provides a smooth transmission of power for control of the door through its full opening and closing cycle.
- **Adjustable Sweep/Latch Speed:** A dual purpose regulating valve, hex-key-operated, permits independent adjustment of both sweep and latch speed.
- **Adjustable Backcheck Cushioning:** An independent, regulating valve, hex-key-operated, provides an adjustable hydraulic cushion to the door opening speed toward the end of the opening cycle.
- **Non-Hold-Open Arm:** Standard closer will be supplied with a Non-Hold-Open Arm. This arm is non-handed.
- **Hold-Open Arm:** Closer arm has adjustable hold-open feature (90° to 180). This arm is non-handed for regular arm application only.

Applications:

Regular Arm



Parallel Arm



9300 Series Door Closers

The 9300BC is a light commercial door closer designed for exterior and interior doors such as condominiums, apartments, motels or hotels. The closer is tri-packed for regular arm, top jamb and parallel arm installations.



NORTON

Features Include:

- **Aluminum Alloy Housing:** Closer bodies are constructed of a special aluminum alloy carefully selected to accommodate interactive steel components and operating conditions.
- **Rack & Pinion Operation:** Provides a smooth constant control of the door through its full opening and closing cycle. 180° door swing can be achieved when door, frame, hardware and arm function do not interfere.
- **Non-Handed:** Pinion shaft extends vertically through the closer body in both directions. This permits the closer to be positioned on either right or left-hand doors for most applications.
- **Non-Critical Control Valves:** All control valves for sweep speed, latch speed and backcheck cushioning are noncritical and are adjusted by a standard 1/8" (3mm) hex wrench.
- **Adjustable Backcheck Cushion Valve:** Provides control of the door in the opening cycle, beginning at approximately 75° of door opening. It slows/cushions the door opening, when the door is forcibly opened beyond its pre-adjusted speed limitation.
- **Finishes:** All door closers are painted in waterborne acrylics. All steel parts, mounting plates and brackets are powder coated. The closers will withstand 100 hours of salt spray. ANSI requires 25 hours.

Regular Arm



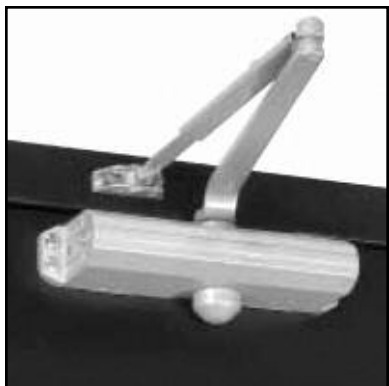
Top Jamb



Parallel Arm



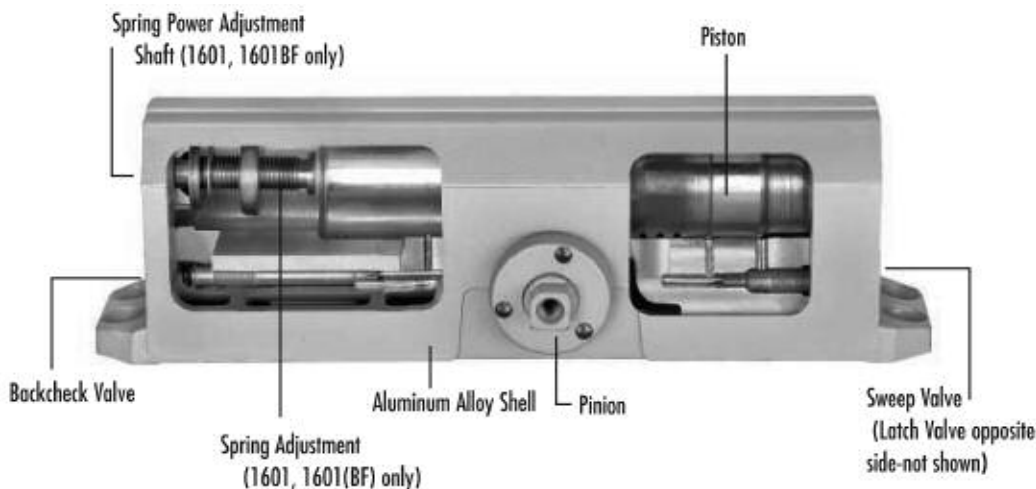
1600 Series Door Closers



The 1600 Series door closers are designed to comply with requirements of the Americans with Disabilities Act (A.D.A.) and ANSI standard A117.1. Closer bodies are constructed of a special aluminum alloy, carefully selected to accommodate interaction with steel components and operating conditions. The rack and pinion operation provides a smooth constant control of the door through its full opening and closing cycle. 180° door swing can be achieved when door, frame, hardware and arm function do not interfere.

Features Include:

- ANSI A156.4, Grade 1
- 10-year warranty
- Non-handed
- 1-3/8" (35mm) diameter piston
- 5/8" (16mm) diameter pinion journals
- Standard, separate and independent, latch, sweep and backcheck intensity valves
- 2-7/8" (73mm) projection
- Tri-Packed- packed for regular arm, top jamb and parallel arm installations.
- All standard arm applications allow doors to swing 180°, conditions permitting



Spring omitted for illustration purposes



1600 Series Door Closer Applications

Regular Arm

This is the only pull-side application where a double lever arm is used. It is the most power-efficient application for a door closer.

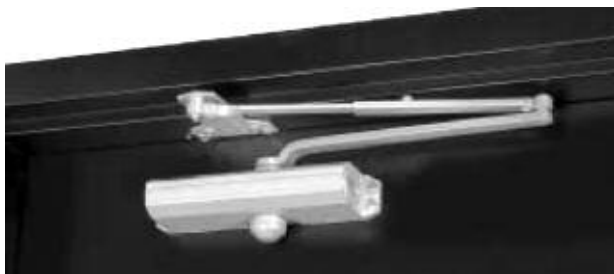


Top Jamb

For efficiency reasons this application provides the best alternative to the regular arm application.

Parallel Arm

This application provides the most appealing design appearance for a surface-mounted door closer having a double lever arm.



Parallel Rigid Arm

An enhanced variation of the standard parallel arm assembly that is intended for use in heavy traffic areas where auxiliary door stops are installed.

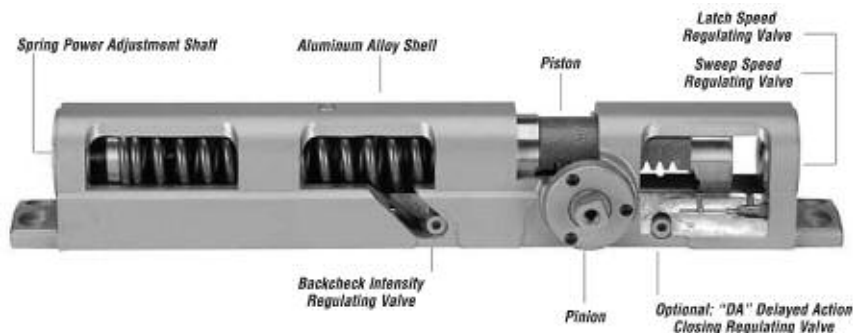
8000 Series Door Closers



The 8000 Series aluminum alloy housing closer bodies are constructed of a special aluminum alloy, carefully selected to accommodate interactive steel components and operating conditions. 180° door swing can be achieved when door, frame, hardware and arm function do not interfere. With few exceptions all series 8300/8500 and series 8301/8501 door closers are non-handed and can be installed on either right or left hand swing doors.

Features Include:

- ANSI A156.4, Grade 1
- 10-year warranty
- UL10C
- Staked valves
- Rack-and-pinion design
- 1-1/4" (32mm) diameter piston
- 5/8" (16mm) diameter pinion journals
- Standard, separate and independent, latch, sweep and backcheck intensity valves
- 2-1/8" (54mm) projection (standard covers)
- All standard arm applications (with slim, full or metal covers) allow doors to swing 180°, conditions permitting
- Available with CLP, UNI, PR arm and track options
- Delayed action option with pressure relief valve in piston



8000 Series Door Closer Applications

Regular Arm

This is the only pull-side application where a double lever arm is used. It is the most power efficient application for a door closer.



Top Jamb

For efficiency reasons this application provides the best alternative to the regular arm application.



Parallel Arm

This application provides the most appealing design appearance for a surface-mounted door closer having a double lever arm.



Parallel Rigid Arm

An enhanced variation of the standard parallel arm assembly that is intended for use in heavy traffic areas where auxiliary door stops are installed.



7500 / 7700 Series Door Closers

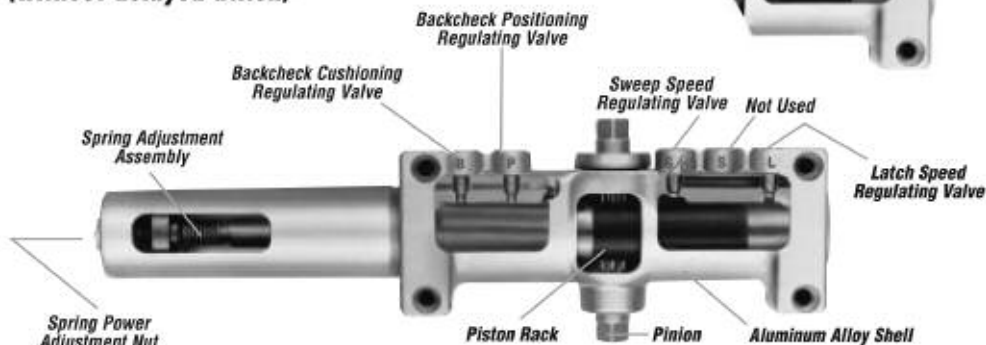


With few exceptions all series 7500 and series 7700 door closers are non-handed and can be installed on either right or left hand swing doors. The sweep speed control valve Allows adjustment of door speed from the doors full open position down to approximately 10° from the closed position. 7500 comes with screws, brackets and soffit plates to allow for regular, top jamb, and parallel arm installations.

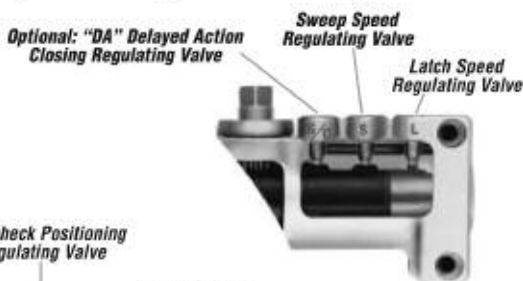
Features Include:

- ANSI A156.4, Grade 1
- 10-year limited warranty
- Rack-and-pinion design
- Cast aluminum body
- Standard, separate and independent, latch, sweep and backcheck intensity valves
- All standard arm applications allow doors to swing 180°, conditions permitting
- 2-1/8" (54mm) projection
- 1-1/2" (38mm) diameter piston
- 5/8" (16mm) diameter pinion journals
- Backcheck positioning valve
- Molded plastic cover

Exploded View of Closer Body (without delayed action)



Optional Delayed Action Valving



7500 / 7700 Series Door Closer Functions

Regular Arm

This is the only pull-side application where a double lever arm is used. It is the most power efficient application for a door closer.

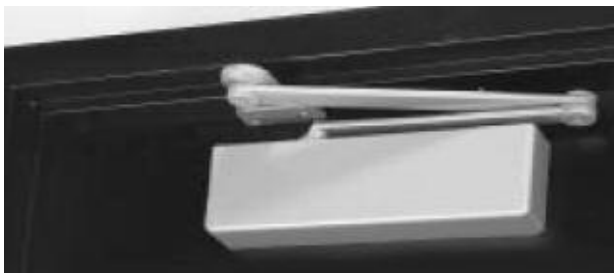


Top Jamb

For efficiency reasons this application provides the best alternative to the regular arm application.

Parallel Arm

This application provides the most appealing design appearance for a surface-mounted door closer having a double lever arm.

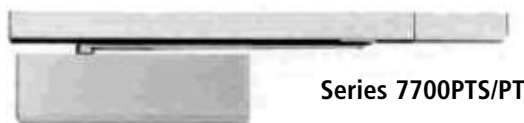
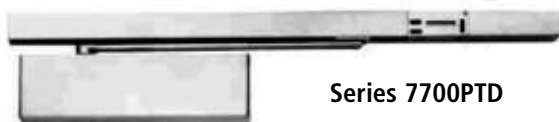


Parallel Rigid Arm

An enhanced variation of the standard parallel arm assembly that is intended for use in heavy traffic areas where auxiliary door stops are installed.

7700 Series Power Track Closers

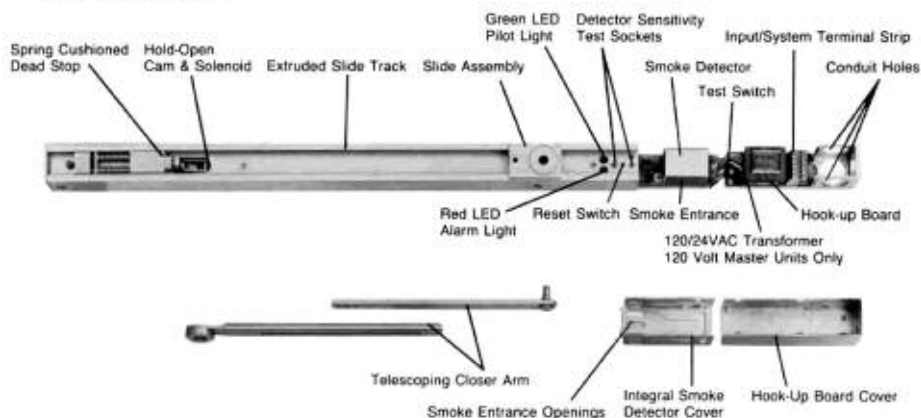
Norton "Power Track" Closer Holders combine the functions of a single-point electro-mechanical door holder with the proven reliability of a 7700 Series door closer. The track assembly contains an arm slide and solenoid operated hold-open mechanism and is available with or without an integral smoke detector.



Features Include:

- **Selective Single-Point Hold-Open:** Power Track has one template position. The single-point hold position is selected by adjusting the telescoping arm with a hex drive set-screw.
- **Spring Cushioned Dead Stop:** A spring loaded buffer block at the point of hold-open prevents overtravel of the arm slide and provides a cushioned dead stop.
- **Non-Handed:** Power Track is non-handed for most applications. Can be installed on doors of either hand.
- **Pull/Push Installations:** Power Track can be ordered for installation on either side of the door.
- **Choice of Power Supply:** Yale Power Tracks are available in the most commonly used operating voltages of 24 Volts AC/DC or 120VAC, 60Hz.

Master Unit Illustrated



7700 Series Applications

Pull Side Mounting



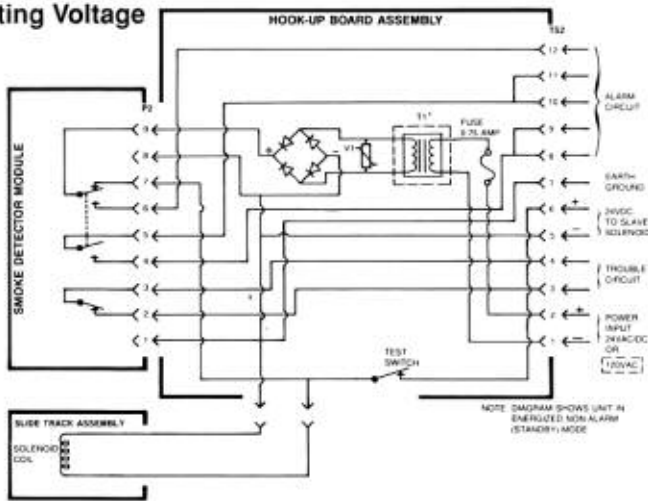
Push Side Mounting



Norton Series 7700 Power Track® Controls combine a 7705 door closer with a Power Track® Holder assembly. This door closer is a modern type, narrow projection closer with cover.

Track Wiring

Master Unit with either 24 or 120 Operating Voltage



**TRANSFORMER ONLY SUPPLIED FOR UNITS OPERATING ON 120VAC POWER

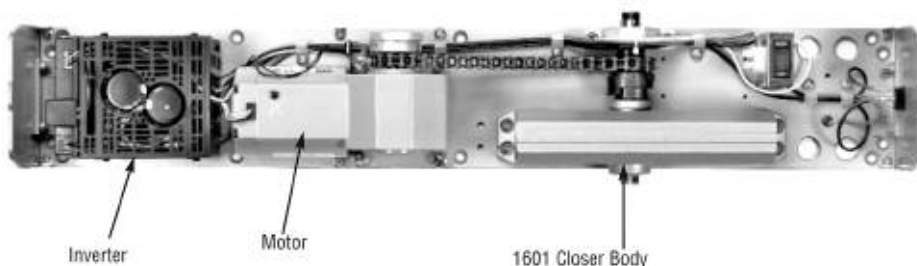
*For Norton, Available For Immediate Shipment,
See Our Manufacturers Parts Section.*

5700 Series Low Energy Operator - LEO™



Norton's 5700 Series introduces a new generation of power door operators. Today, due to the population's busy lifestyles, the convenience of "hands-free" door opening is more popular than ever. The patented design of LEO™ is based on ease and simplicity.

LEO installs in minutes rather than hours and consists of three major components: inverter, motor and Norton's 1601 closer body. When the door is opened manually, there is little resistance and the drive train and motor are not engaged. The 1601 closer, not the motor, controls the closing cycle. Since the door closer does not back-drive the motor during the closing cycle, there is no loss of closer efficiency. In the event of a power outage, the door can be manually opened and will close via the door closer's spring force.



Features Include:

- Ease of installation and setup - Simple instructions
- Application versatility & ease of adjustment - Push or pull side mounting units available
- Operates as mechanical surface closer during close cycles or when door is opened manually or if power is turned off - Quiet operation, acceptable for fire-rated doors, spring force provides the feel of a normal manual door closer, door can be opened manually if desired
- Unit Activation Options - Wall switches, Motion sensor, Radio frequency device
- End-User On/Off Switch
- Hold Open options - 0-30 seconds (5 seconds minimum required for ADA and ANSI A156.19)
- Obstruction Detection - Motor stops if door is obstructed during an opening, door closes under manual spring force.

**Call our Sales department - toll free - for current pricing
on all Norton products**



5700 Series Low Energy Operator - LEO™

Standard Applications:

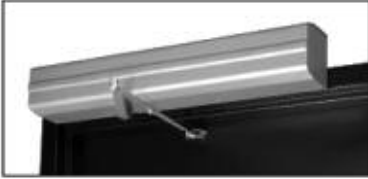


5710 HINGE (PULL) SIDE OF DOOR

- Adjustable Stop
- 180° swing (trim permitting)

Minimum Door width
 Single Door - 29" (74cm)
 Double Door - 30" (33cm)

An auxiliary stop is suggested where severe conditions exist.



5730 STOP (PUSH) SIDE OF DOOR

STANDARD DUTY DOUBLE LEVER ARM

- Frame reveals 2-5/8" to 6-3/4" (67-171mm)
- An auxiliary door stop is required for these applications.
- 170° swing (trim permitting)

Arm and Track Assemblies:



#5710-1 - Arm and Track Assembly
 #7701ST-1A - Arm Assembly
 #7200-1T - Track Assembly



#7701-1 - Arm Assembly
 #7701-1W - Main Arm & Rod
 #7701-11A - Adjusting Tube & Shoe

Accessories:



Key FOB
 572

- Used with RF1 and RF1KIT



Door Switch
 576

- 6" x 6" face plate
- RF (433MHz)
- Flush or surface mounted
- SS with blue letters



571KIT

- Radio Frequency Receive
- 25 VDC power supply
- Activation switches not included. Choose from 685, 574, 575, 576

Electrical Specs:

- Power Input; 120 VAC, 60Hz
- Current Draw; .6A
- Relay Output; DPDT - Normally Open / Normally Closed (jumper)

Visit us on the web at www.akronhardware.com



6900 Series Powermatic Door Closer



The Norton® 6900 PowerMatic® is a “low energy” power door operator designed to automatically open and close doors with a lower energy opening force. The Norton PowerMatic fully complies with ADA and ANSI A156.19 requirements. It functions using an A/C motor and hydraulic pump to activate a heavy-duty hydraulic door closer controlled by an Electronic Limit Switch (ELS) circuit board that limits the degree of door swing. The 6900 is stocked as a handed unit (Identify Application).

Features Include:

- Ease of installation and setup: Uses push-button settings for door open and door close positions
- Application versatility and ease of adjustment: Power Operator function can be configured to Power Assist Function during installation
- Operates as mechanical surface closer during close cycles or if power is turned off
- Operation startup options; wall switches, motion sensor, radio frequency device, push and go
- Choice of indefinite hold open features
- Door closes if it hits an obstruction while opening
- Door re-opens once if it hits an obstruction while closing



6960 Shown

Accessories:



660



661



669



662



671 – Radio
Frequency option



666
Hand Held
Transmitter



663
Motion Sensor

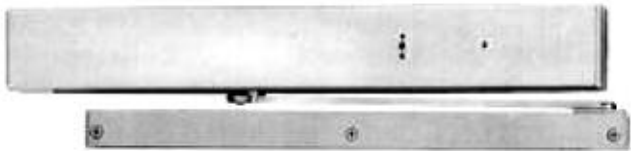


6655-1L/1R – Arm and Track Assembly



7200 Series Electromechanical Closer / Holder

The Series 7200 Electromechanical Closer-Holders combine the functions of an electro-mechanical door holder with one of our finest door controls, the Series 7700 door closer. The 7200 features a choice of two types of hold-open functions; the Infinite Hold-Open and the Selective Hold-Open.



7213 / 7214



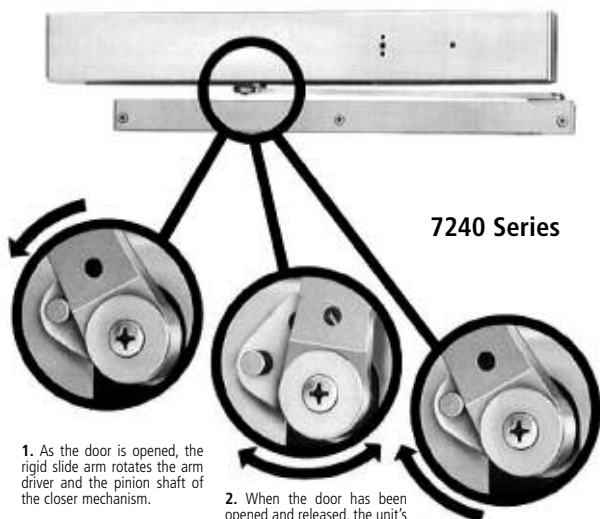
7223 / 7224

Features Include:

- ANSI A156.15
- Multi-point hold open
- Pull or push side mounting
- Closer size 3, 4 or 5
- Infinite hold open (I suffix) – door will hold open at any degree of opening up to 175°. Maximum opening 180°.
- Selective hold open (S suffix) – door will hold open at any degree of opening beyond a pre-set hold open point, up to 175°. Maximum opening 180°. Factory set at 80°.
- Radio Frequency option; RFI or RFS (Not UL listed for fire doors)
- Free swing arm available (Pull side 7240 series only)
- Voltage – 24VAC/DC or 120VAC
- Detected or non-detected units available



Pull Side Hinge Mounting



7240 Series

1. As the door is opened, the rigid slide arm rotates the arm driver and the pinion shaft of the closer mechanism.

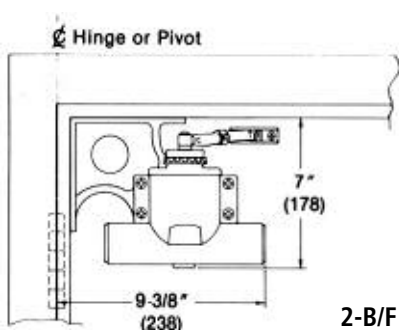
2. When the door has been opened and released, the unit's electrically controlled plunger valve will hold the pinion shaft and arm driver at the degree of door opening. The door is then free to swing unhindered.

3. After Fire/Smoke detection alarm or any power interruption to the control, the pinion shaft and arm driver are released to close the door.

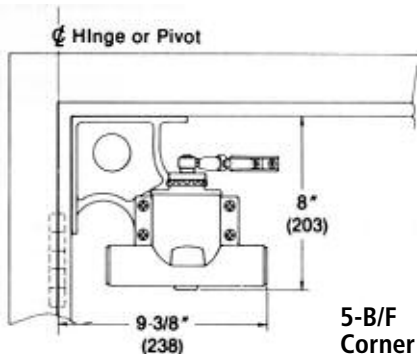
Note: All electromechanical closers use NorGlide® closer fluid.



78 Series



**2-B/F
Corner Bracket**



**5-B/F
Corner Bracket**

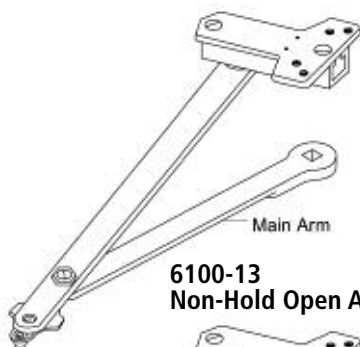


**B/F5
Parallel Arm**



**B/F8
Parallel Hold Open Arm**

1600 Series



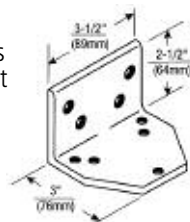
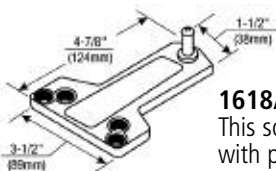
**6100-13
Non-Hold Open Arm**



**6100-3
Hold Open Arm**

2019L Angle Bracket

For use where flush transom conditions prevent mounting of the standard soffit plate.

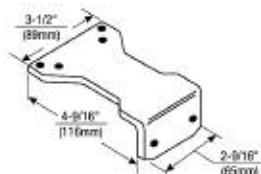


1618A Soffit Plate

This soffit plate is supplied standard with parallel arm closers.

1628H Adapter Plate

This Adapter Plate is supplied standard with all parallel arm hold open closers.



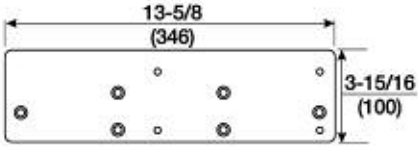
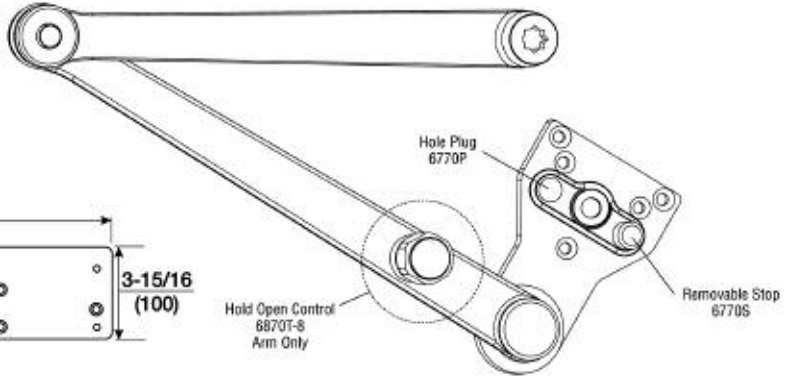
1688 Drop Plate

For use where an overhead door holder prevents normal top jamb mounting.

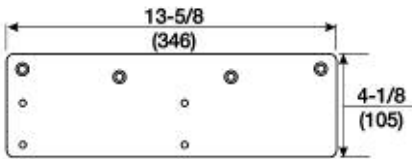


7500 / 7700 Series

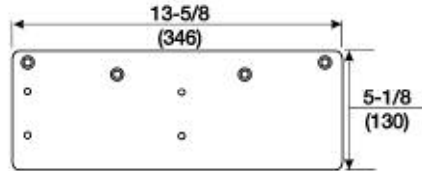
6870T-8
 Thumbturn
 Hold Open Arm



7786 Back Plate

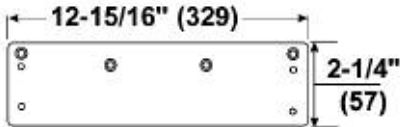


7787 Drop Plate

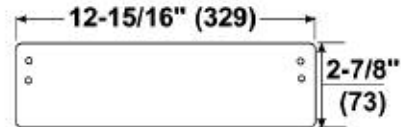


7788 Drop Plate

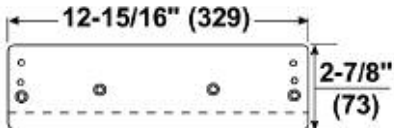
8800 Series



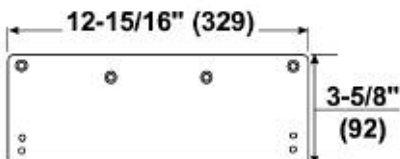
8146 Drop Plate



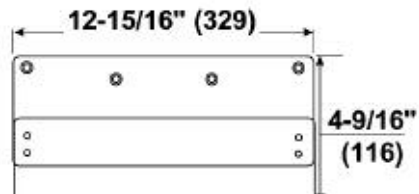
8445 Decorative Back Plate



8446 Drop Plate Kit



8148 Drop Plate



8448 Molded Drop Plate Kit