

AKRON HARDWARE™

1-800-321-9602
Fax 1-800-328-6070

Visit us on the web at www.akronhardware.com

ARROW ARROW ARROW ARROW ARROW ARROW ARROW ARROW A

AM / BM Series Mortise Locksets



Arrow Mortise locks are offered in a complete range of functions designed for commercial and institutional applications. Standard features such as field reversibility, stainless steel latchbolt and deadbolt provide versatility and durability.

Features Include:

- **Handing:** field reversible. The lockset can be re-handed without disassembling the lock case.
- **Door Thickness:** 1-3/4" (44.5mm) standard. Optional door thickness available; consult factory.
- **Backset:** 2-3/4" (70mm).
- **Lockcase:** Heavy gauge steel, with zinc dichromate finish for corrosion resistance. 5-7/8" (149mm) x 4" (102mm) x 15/16" (24mm).
- **Armored Front:** Heavy gauge steel, 8" (203mm) x 1-1/4" (32mm) x 3/32" (2mm). Accommodates flat doors and doors beveled 1/8" (3mm) in 2" (51mm).
- **Faceplate:** Wrought brass or bronze, attached by machine screws to lockcase front.
- **Latchbolt:** Stainless steel, 2 piece mechanical with anti-friction insert. 5/8" (16mm) x 1" (25mm) x 3/4" (19mm) throw.
- **Auxiliary Latchbolt:** 9/16" (14mm) effective throw and 3/8" (10mm) effective auxiliary latch deadlocking.
- **Deadbolt:** One-piece stainless steel, 19/32" (15mm) x 1-1/4" (32mm) x 1" (25mm) throw.
- **Hub:** Knob: nickel steel, 5/16" (8mm) and 9/32" (7.14mm). Lever: nickel steel, 5/16" (8mm).
- **Spacing:** Center to center, hub to cylinder: 3-5/8" (92mm). Center to center, hub to turnpiece 2-7/16" (62mm).
- **Strike:** Wrought brass or bronze, ANSI straight lip standard, 4-7/8" (124mm) x 1-1/4" (32mm) 1-1/8" (29mm) lip to center. Optional strikes, lip lengths and ANSI wrought strike box available.
- **Keys:** Two nickel silver standard.
- **Warranty:** Five-year limited.



Available Finishes from Stock

See page 7 for available finishes.



AM / BM Series Lockset Functions

3

ARROW

Arrow	Function	ANSI/Federal #	Description
01	Passage	F01/86N	Latchbolt by knob/lever either side.
02	Privacy	F02/86L	Latchbolt by knob/lever either side, except when outside is locked by turnpiece inside. Outside emergency release or operating from inside unlocks lock. Inside knob/lever retracts both bolts.
11	Apartment/Front Door	F12/86F	Latchbolt by knob/lever either side except when outside knob/lever is locked by stopworks in lock front, or when the deadbolt is projected. Deadbolt operates by key outside and turnpiece inside. Turning inside knob/lever will retract latchbolt and deadbolt simultaneously.
12	Storeroom	F07/86EW	Outside knob/lever always rigid. Latchbolt retracted only by key outside or by inside knob/lever. Auxiliary latchbolt deadlocks latchbolt.
17	Classroom	F05/86J	Latchbolt operated by knob/lever either side, except when outside knob/lever is locked by key outside. Key operates latch or unlocks outside knob/lever. Inside knob/lever is always free. Auxiliary latchbolt deadlocks latchbolt.
19	Dormitory	F13/86FW	Latchbolt operated by knob/lever either side. When outside knob/lever is locked by projected deadbolt, (by inside turnpiece or outside key) key outside will retract deadbolt, then latchbolt. Turning inside knob/lever will retract latchbolt and deadbolt simultaneously, which will unlock outside knob/lever. When deadbolt is projected, the latchbolt is deadlocked.
21	Front Door	F08/F10/86A	Latchbolt operated by knob/lever either side except when outside knob/lever is locked by stopworks in lock front. Deadbolt is operated by turnpiece inside. Auxiliary latchbolt deadlocks latchbolt. Key outside operates both bolts.
22	Office	F04/86E	Latchbolt operated by knob/lever either side except when outside knob/lever is locked by stopworks in lock front then operated by key outside. Auxiliary latchbolt deadlocks latchbolt.



AM Series Mortise Knob / Trim Designs

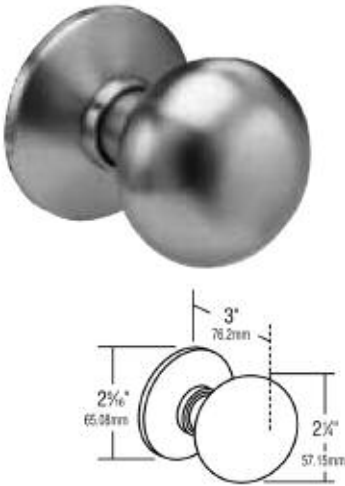
ARROW

HTHA

Knob: HT

Rose: HA

Heavy Wrought Brass or Bronze

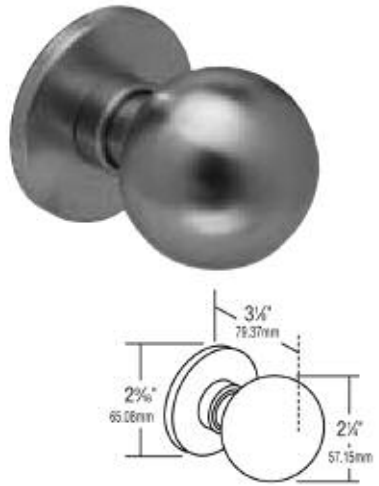


HBHD

Knob: HB

Rose: HD

Heavy Wrought Brass, Bronze or Stainless Steel



HTH

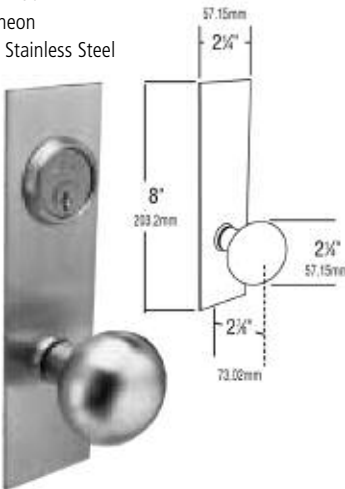
Knob: HT

Escutcheon: H

Heavy Wrought Knob

Wrought Escutcheon

Brass, Bronze or Stainless Steel



HBH

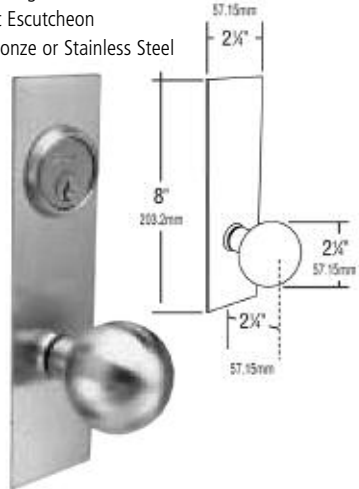
Knob: HB

Escutcheon: H

Heavy Wrought Knob

Wrought Escutcheon

Brass, Bronze or Stainless Steel

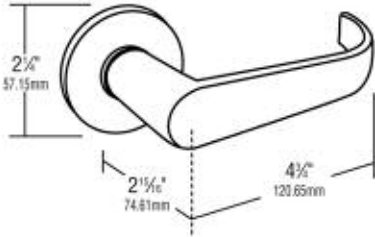


BM Series Mortise Lever / Trim Designs

BRL

Lever: BR – Cast

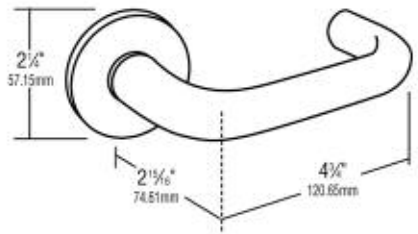
Rose: L – Wrought Brass, Bronze or Stainless Steel



HSL

Lever: HS – Cast

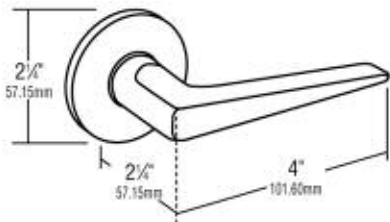
Rose: L – Brass, Bronze or Stainless Steel



JL

Lever: J – Forged Brass or Cast Bronze

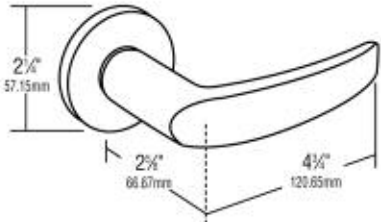
Rose: L – Wrought Brass or Bronze



VL

Lever: V – Forged Brass, Cast Bronze or Stainless Steel

Rose: L – Wrought Brass, Bronze or Stainless Steel



BM Series Mortise Lever Trim Designs

ARROW

BRH

Lever: BR – Cast
Escutcheon: H – Wrought Brass, Bronze or Stainless Steel



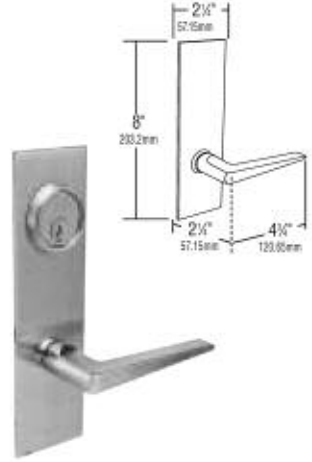
HSH

Lever: HS – Cast
Escutcheon: H – Wrought Brass, Bronze or Stainless Steel



JH

Lever: J – Forged Brass or Cast Bronze
Escutcheon: H – Wrought Brass, Bronze or Stainless Steel



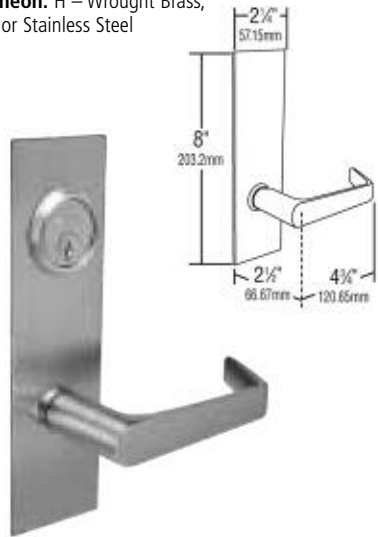
VH

Lever: V – Forged Brass, Cast Bronze or Stainless Steel
Escutcheon: H – Wrought Brass, Bronze or Stainless Steel



XH

Lever: X – Forged Brass, Cast Bronze or Stainless Steel
Escutcheon: H – Wrought Brass, Bronze or Stainless Steel

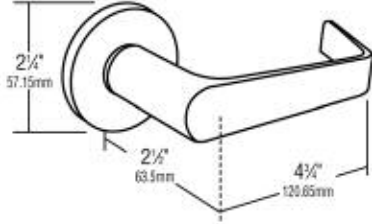


BM Series Mortise Lever Trim Designs

XL

Lever: X – Forged Brass, Cast Bronze or Stainless Steel

Escutcheon: L – Wrought Brass, Bronze or Stainless Steel



How to Order Arrow Mortise Locks

SERIES	FUNCT.	TRIM	FINISH	HAND	KWY.
AM (Knob)	01	HTHA	US3	RH	SEE PAGE
BM (Lever)	02	HBHD	US10	RHR	PAGE 19
	11	HSL	US10B	LH	
	12	XL	US26D	LHR	
	17	JL			
	19	VL			
	21	BRL			
	22	HTH			
		HBH			
		HSH			
		XH			
		JH			
	VH				
	BRH				

OPTIONS

Less Cylinder

Less Double Cylinder

Unless otherwise specified, locks will be furnished standard for RH, 1-3/4" door, Arrow "A" keyway cylinders x keyed random.

AM Series

	TRIM DESIGN				FINISHES			
	US3	US10	US10B	US26D				
HTHA	•	•	•	•				
HBHD	•	•	•	•				
HTH	•	•	•	•				
HBH	•	•	•	•				

BM Series

	TRIM DESIGN				FINISHES			
	US3	US10	US10B	US26D				
BRL	•	•	•	•				
HSL	•	•	•	•				
JL	•	•	•	•				
VL	•	•	•	•				
XL	•	•	•	•				
BRH	•	•	•	•				
HSH	•	•	•	•				
JH	•	•	•	•				
VH	•	•	•	•				
XH	•	•	•	•				



Arrow Q Series Cylindrical Locks



Arrow Grade 1 Heavy Duty Locksets are a masterful blend of form and function. Made in the U.S.A. and engineered for years of dependable operation, Arrow's Grade 1 locksets are designed for functionality and practicality. The new Q features an innovative thru-bolting mechanism allowing universal mounting.

Features Include:

- **Lock Chassis:** Cold rolled steel, with zinc dichromated finish for rust resistance. Latch retractor is precision cast steel. Extra long bearing sleeve offers added support for interlocking tubes and provides for extra lever rigidity. Requires standard 2-1/8" (53.97mm) bore through door.
- **Thru-Bolts:** Patented flexible adaptor, an eight sided nickel steel alloy mechanism allows for universal thru-bolt location according to door preparation. The flexible mounting is accomplished without manually removing screw posts from rose insert. The flexible adaptor also engages directly with springs, which will virtually eliminate lever sag.
- **OverDrive™:** Freewheeling lever action occurs when latch retraction mechanism disengages from lever handle when handle is locked. Built-in stops in the rose insert prevent lever from traveling beyond approximately 57 degrees. (Factory order only).
- **Backset:** 2-3/4" (69.85mm) standard. 3-3/4" (95.25mm) and 5" (127mm) available.
- **Latch:** Brass with 1/2" (12.7mm) throw standard. 3/4" (19.05mm) throw deadlocking fire-latch is available for pairs of doors. Latch housing is steel, zinc dichromate finish for corrosion resistance. 1" (25.4mm) bore in edge of door is required.
- **Latch Front:** Brass, bronze or stainless steel. 2-1/4" (57.15mm) x 1-1/8" (28.57mm) beveled, 1/8" (3.175mm) in 2" (50.8mm).
- **Exposed Trim:** Levers are pressure cast zinc. Streamline rose scalp of brass or bronze complements other series of lever locks.
- **Rose Inserts:** Contain coil spring which is a permanent assembly within rose insert. The inside insert has graduating steps in two locations to prevent rose scalp from loosening.
- **Strikes:** Brass, bronze or stainless steel.
- **Door Thickness:** 1-3/4" (44.45mm) to 2" (50.80mm) standard.
- **Handing:** Non-handed. Levers operate bi-directionally.

Available Finishes from Stock

See page 16 for
available finishes.



Arrow Grade 1 Cylindrical Locksets are engineered and designed for lasting performance. They represent an outstanding value in builders' hardware.

**ARROW**

Features Include:

- **Lock Chassis:** Cold rolled steel with zinc dichromate finish for corrosion resistance. Latch retractor is precision cast steel. Requires standard 2-1/8" (53.97mm) bore through door.
- **Backset:** 2-3/4" (69.85mm) backset standard, 3-3/4" (95.25mm) and 5" (127mm) available.
- **Door Thickness:** 1-3/4" (44.45mm) to 2" (50.80mm)
- **Latch:** Brass with 1/2" (12.7mm) throw. 3/4" (19.05mm) throw deadlocking firelatch available for pairs of doors. Latch housing is steel, zinc dichromate finish for corrosion resistance. 1" (25.4mm) bore in edge of door required.
- **Latch Front:** Brass, bronze or stainless steel, 2-1/4" (57.15mm) x 1-1/8" (28.57mm), beveled 1/8" (3.17mm) in 2" (50.8mm)
- **Strike:** Brass, bronze or stainless steel. ANSI A115.2, 4-7/8" (123.82mm) x 1-1/4" (31.75mm) curved lip standard. All strikes have 1-1/4" (31.75mm) lip to center dimension.
- **Handing:** Reversible.
- **Cylinder, Standard:** Solid brass, 6 pin cylinder with Arrow "A" keyway. Can be masterkeyed, grandmaster keyed and construction masterkeyed.
- **Cylinder Options:** Interchangeable core-lockset prepared for use with 6 or 7 pin interchangeable core. Supplied less core, but packed with 6 and 7 pin tailpieces.

Available Finishes from Stock

See page 16 for available finishes.

Call our Sales department - toll free - for current pricing on all Arrow products

Visit us on the web at www.akronhardware.com



AKRON HARDWARE™

Arrow M Series Cylindrical Locks



The M Series Grade 2 cylindrical lever locks provide economical solutions to accessibility requirements. They are ideal for commercial applications where heavy-duty grade levers may not be required.

Features Include:

- **Lock Chassis:** Cold rolled steel with zinc dichromate finish for corrosion resistance. Latch retractor is precision cast steel. Requires standard 2-1/8" (53.97mm) bore through door.
- **Backset:** 2-3/4" (69.85mm) backset standard, 3-3/4" (95.25mm) available. Also available with 5" (127mm) backset when used in conjunction with H Series latch.
- **Door Thickness:** 1-3/8" (34.92mm) to 1-3/4" (44.45mm) standard (supplied with 4 mounting plates).
- **Latch:** Brass with 1/2" (12.7mm) throw. Latch housing is steel, zinc dichromate finish for corrosion resistance. 7/8" (22.225mm) diameter bore in edge of door required. Supplied with #K-179 sleeve for use with existing 1" (25.40mm) holes.
- **Latch front:** Brass, bronze. 2-1/4" (57.15mm) x 1-1/8" (28.57mm), beveled UL latches are standard. Available with 1" (25.40mm) flat fronts for 2-3/8" (60.32mm) backset, or 1" (25.40mm) beveled fronts for 2-3/4" (69.85mm) backset.
- **Strike:** Brass, bronze or stainless steel. ANSI A115.2, 4-7/8" (123.82mm) x 1-1/4" (31.75mm) curved lip or 2-3/4" (69.85mm) x 1-1/8" (28.57mm) "T" strike standard. All strikes have 1-1/4" (31.75mm) lip to center dimension. Box strikes available.
- **Mounting:** Thru-bolts within 2-1/8" (53.97mm) cross bore. Contains two support plates which secure to face of door as well as accept thru-bolts from inside rose assembly.
- **Cylinder, Standard:** Solid brass, 6 pin cylinder with Arrow "A" keyway. Can be masterkeyed, grandmaster keyed and construction masterkeyed. Conventional cylinders are also available in a variety of competitive manufacturer's keyways.
- **Cylinder Options:** Interchangeable core-lockset prepared for use with 6 or 7 pin interchangeable cores.



Available Finishes from Stock

See page 16 for available finishes.



Arrow L Series Cylindrical Locks

The L Series Grade 2 cylindrical lever locks provide economical solutions to accessibility requirements. They are ideal for commercial applications where heavy-duty grade levers may not be required.



Features Include:

- **Lock Chassis:** Cold rolled steel with zinc dichromate finish for corrosion resistance. Requires standard 2-1/8" (53.97mm) bore through door.
- **Backset:** 2-3/4" (69.85mm) backset standard; 2-3/8" (60.32mm) available.
- **Door Thickness:** 1-3/8" (34.92mm) to 1-3/4" (44.45mm) standard (supplied with 4 mounting plates).
- **Latch:** Brass or bronze with 1/2" (12.7mm) throw. Latch housing is steel, zinc dichromate finish for corrosion resistance.
- **Latch front:** Brass, bronze. 2-1/4" (57.15mm) x 1-1/8" (28.57mm), beveled UL latches are standard. Available with 1" (25.40mm) flat fronts for 2-3/8" (60.32mm) backset, or 1" (25.40mm) beveled fronts for 2-3/4" (69.85mm) backset.
- **Strike:** Brass, bronze or stainless steel. #300 and #306 strikes measure 1-1/4" (31.75mm) lip to center. #302 and #303 strikes measure 1-3/16" (30.16mm) lip to center. Strike boxes are available.
- **Handing:** Non handed.
- **Cylinder, Standard:** Solid brass, 6 pin cylinder with Arrow "A" keyway standard; pinned 5 for stock.

Available Finishes from Stock

See page 16 for
available finishes.

Arrow C Series Cylindrical Locks



The C Series has exceptional value and the quality required to meet the demands of the single and multi-family housing markets, as well as light commercial applications. Combining a variety of knob and lever designs, convenient installation and the Arrow benchmark for dependability, the C Series is perfect in most any space.

Features Include:

- **Construction:** Tubular chassis
- **Backset:** Universal latch is standard. Adjustable for both 2-3/8" (60mm) or 2-3/4" (70mm).
- **Latch:** Brass front. Supplied standard with 1" x 2-1/4" (25mm x 57mm) square corner, 1" x 2-1/4" (25mm x 57mm) radius corner and 1-1/8" x 2-1/4" (29mm x 57mm) square corner latch fronts. Available with drive-in latches.
- **Strike:** 1-5/8" x 2-1/4" (41mm x 57mm) full lip strike standard. Available with 1-1/8" x 2-3/4" (29mm x 70mm) "T" strike, or 1-1/4" x 4-7/8" (32mm x 124mm) ANSI strike.
- **Door Thickness:** Fits 1-3/8" to 1-3/4" (35mm-44mm) doors standard.
- **Exposed Trim:** Knobs are wrought brass. Levers are zinc based and are plated to match finish requirements.
- **Mounting:** Knobsets are supplied with exposed screws on inside rose. Leversets are supplied with concealed screws on inside rose.
- **Cylinder:** Solid brass, 6 pin tumbler, pinned 5. "A" keyway standard. Available in a variety of competitive manufacturers keyways. Supplied with 2 brass keys.
- **Packaging:** Both knob and leversets are packed 1 per box, 20 per carton.

Available Finishes from Stock

See page 16 for available finishes.



Arrow Q, H, M, L, C Series Cylindrical Lock Functions

Arrow	Function	Series	ANSI/Federal #	Description
01	Passage/Closet	H, M, L, Q, C	F75/161N 160N	Latchbolt operated by knob/lever either side.
02	Privacy/Bathroom	H, M, L, Q, C	F76/161L 160L	Latchbolt operated by knob/lever either side except when inside pushbutton locks outside knob. Unlocked by turning inside knob, using emergency key outside or closing door.
08	Single Dummy Trim	H, M, L, C		Rigid trim for one side of door only. Used as pull or to match active trim.
11	Entrance/Office	H, M, L, Q, C	F81161A 160A	Latchbolt operated by knob either side except when outside knob is locked by turnbutton inside. When outside knob is locked, latchbolt operated by key outside or turning inside knob. Pushing and turning inside button will cause outside knob to remain locked. Button will then need to be manually rotated to unlock outside knob.
12	Storeroom	H, M, L, Q, C	F86/161D 160D	Latchbolt operated by key in outside knob or by inside knob. Outside knob always rigid.
17	Classroom	H, M, L, Q, C	F84/161R 160R	Latchbolt operated by knob either side except when key outside locks outside knob. Inside knob always free. Key outside locks/unlocks outside knob only.
18	Communicating	H, M, C		Deadlocking latchbolt by knob inside only except when key locks/unlocks knob. Blank rose only outside.
19	Dormitory	H, C	F90/161T	Latchbolt operated by knob either side except when outside knob is locked by key outside or pushbutton inside. Key outside locks or unlocks outside knob. Unlocked by turning inside knob, closing door or using key outside.
33	Asylum/ Institutional	H, M, C	F87/161W 160W	Latchbolt operated by key in either knob. Both knobs always rigid.

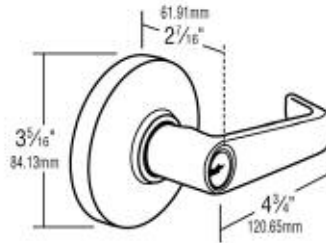


Arrow Q, H, M Series Cylindrical Lock Trim Designs

Q Series Trim Designs

SR

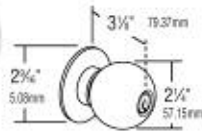
Lever: Cast
Rose: Wrought



H Series Trim Designs

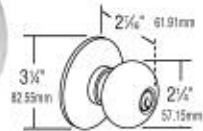
BD

Knob: B – Cold-Forged
Rose: D – Wrought



TB

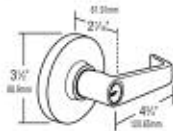
Knob: T – Cold-Forged
Rose: B – Wrought



M Series Trim Designs

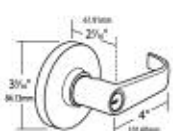
SR

Lever: Cast
Rose: Wrought



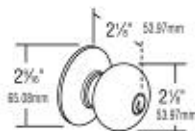
BRR

Lever: Cast
Rose: Wrought



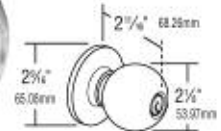
TA

Knob: T – Cold-Forged
Rose: A – Wrought



BD

Knob: B – Cold-Forged
Rose: D – Wrought



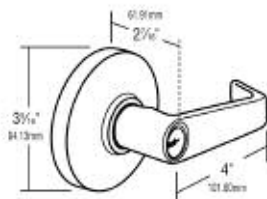
Arrow L, C Series Cylindrical Lock Trim Design

L Series Trim Designs

Sierra SR

Lever: Cast

Rose: Wrought

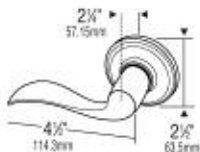


C Series Trim Designs

LC

Lever: L – Cast

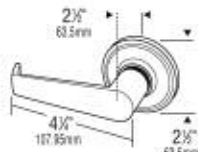
Rose: C – Wrought



SC

Lever: S – Cast

Rose: C – Wrought



OC

Lever: O – Cast

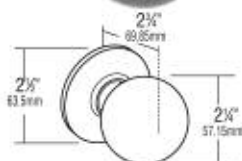
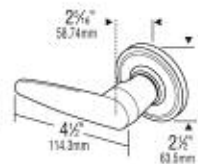
Rose: C – Wrought



VC

Lever: V – Cast

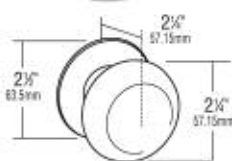
Rose: C – Wrought



BE

Knob: B – Wrought

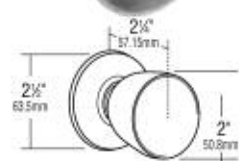
Rose: E – Wrought



TE

Knob: T – Wrought

Rose: E – Wrought



DE

Knob: D – Wrought

Rose: E – Wrought



Arrow Cylindrical Locks

How to Order Arrow Cylindrical Locks

SERIES	FUNCTION	TRIM	FINISH	STRIKE *	BACKSET *	CYL.	KWY. *
Q	01	BD	US3	300	101	L/C	SEE
H	02	SR	US10	306	111	I-C	PAGE
M	08	TA	US10B		121		19
L	11	TB	US26D		160		
	12	SR-IC			161		
	17	TB-IC			274		
	19				284		
	31						
	33						

OPTIONS	
Door Thickness (STD.)	
Q Series 1-3/4"	H Series 1-3/4" – 2"
M Series 1-3/8" – 1-3/4"	L Series 1-3/8" – 1-3/4"
C Series 1-3/8" – 1-3/4"	
2-3/8" Backset (STD.)	
2-3/4" Backset (STD.)	
3-3/4" Backset	
5" Backset	
5" Backset	
Adjustable Backset 2-3/8" – 2-3/4"	
306 ANSI Strike (STD.)	
306 ANSI Strike	
300 T-Type (STD.)	
Strike – Full Lip 2-1/4" (STD.)	
Less Cylinder	
I-C Core Less Core	

Unless otherwise specified, locks will be furnished standard for RH, 1-3/4" door, Arrow "A" keyway cylinder x keyed random.

	SERIES/TRIM DESIGN		I-CORE OPTION			FINISHES	
	US3	US10	US10B	US26D			
Q-SR	•	•					•
H-BD		•	•	•	•		
H-TB	•	•	•	•	•		
M-SR	•	•	•	•	•		
M-TA		•	•	•	•		
M-BD		•	•	•	•		
L-SR		•	•	•	•		

		SERIES/TRIM DESIGN		FINISHES		
		US3	US5A	US26	US26D	
LEVER	C-SC	•	•	•	•	
	C-VC	•	•	•	•	
	C-OC	•		•	•	
	C-LC	•			•	
KNOB	C-BE	•		•	•	
	C-TE	•		•	•	
	C-DE	•		•	•	

Handing required to order C-OC or C-LC



Contact us Toll Free at 1-800-321-9602 Fax 1-800-328-6070

Cylinders and Key Blanks



Mortise Cylinders

- Body: Brass, 1-5/32" (29.37mm) diameter. Six pin tumbler cylinder.
- Furnished: Standard with cylinder collar.
- Length: 1-1/8" (28.57mm), 1-1/4" (31.75mm), 1-1/2" (38mm), 2" (51mm)
- Scalp: Brass, Bronze
- Keyway: "A" keyway standard. Arrow sectional keyways available. Consult factory for competitive keyway availability.



Rim Cylinders

- Body: Brass, 1-5/32" (29.37mm) diameter. Six pin cylinder.
- Furnished: With back plate, 2 Screws (2" door max.), tail-piece and cylinder collar.
- Scalp: Brass, Bronze
- Keyway: "A" keyway standard. Arrow sectional keyways available.



Cylindrical Lock Cylinders

- Body: Solid brass pin tumbler 6 chambers. Pinned 5 for Grade 2 Locksets. Pinned 6 for Grade 1 locksets and all hotel locksets.
- Keyway: "A" keyway standard. Arrow sectional keyways available. Competitive keyways available..



Interchangeable Core

ChoiCe™ Base is our standard level of product. Available in Arrow and competitive keyways, Base is capable of all levels of keying for new or existing key systems. With an option to have drill resistant pins in the front, plug and shell, ChoiCe™ Base offers convenience as well as a higher level of security. ChoiCe™ Base Core – 6 pin and drill resistant. Also available 7 pin.



Mortise Cylinder I-C Housing

- Body: Brass, 1-5/32" (29.37mm) diameter
- Furnished with: Cam (specify) and cylinder collar 16-113A, less core.
- Length: 1-1/8" (28.58mm) 1-1/4" (31.75mm) 6 or 7 pin. Tapered and drill resistant available. 1-5/16" 6 pin hotel function only.



Rim Cylinder I-C Housing

- Body: Brass 1-5/32" (29.37mm) diameter
- Furnished with: Blackplate, cylinder collar 16RC-113, 2 screws, 1-3/4" (44.45mm) door tailpiece #C16RCR-44, less core
- Length: 6 or 7 pin. Drill resistant available.



How to Order Arrow Cylinders

TYPE	KWY. *	FINISH	LENGTH
MC61	SEE	US3	1-1/8"
RC62	CHART	US4	1-1/4"
100C	AT RIGHT	US10 US10B US26D	

Unless otherwise specified, cylinders will be furnished keyed random x two keys. I-C cores will be uncombined less keys.

Keyways Available

ARROW	ARROW I-C	BEST I-C	COMPETITIVE
A	1C	AB	CS
E	1D	BB	(Schlage C)
F		CB	
G		DB	60
H		EB	(Corbin 60)
J		FB	
L		GB	8
N		HB	(Yale 8)
P		JB	
R		KB	D1
S		LB	(Russwin D1)
T		MB	
U		QB	LA
			(Sargent LA)
			PS
			(Schlage F)

**For Arrow Parts, Available For Immediate Shipment,
See Our Manufacturers Parts Section.**

E Series Deadlocks



Arrow deadlocks are designed to perform under the most extreme conditions where security is critical. Exceptional security features such as rotating wrench-proof collars, massive steel deadbolt with hardened steel pin insert and concealed mounting screws make Arrow deadlocks virtually tamperproof. Specify Arrow for unsurpassed value, quality and durability.

Features Include:

- **Housing:** Two-piece housing, with free spinning outer ring to prevent wrenching. Concealed mounting screws standard on double cylinder functions.
- **Thru-bolting:** supplied with two 1/4" (6.35mm) steel thru-bolts.
- **Deadbolt:** 1" (25.40mm), solid steel deadbolt throw with hardened steel pin insert.
- **Backset:** 2-3/8" (60.32mm), 2-3/4" (69.85mm).
- **Deadbolt fronts:** 2-1/4" (57.15mm) x 1" (25.40mm) standard for 2-3/8" (60.32mm) backset, 2-1/4" (57.15mm) x 1-1/8" (28.57mm) standard for 2-3/4" (69.85mm) backset. Drive-in deadbolts are available.
- **Doors:** 1-3/8" (34.925mm) to 1-3/4" (44.45mm) thick standard.
- **Strikes:** Supplied standard with two strikes. #345—security strike for steel frame. #346—security strike for wood frame.
- **Handing:** All functions are reversible.
- **Cylinder, Standard:** Solid brass, Arrow "A" keyway, drilled for 6 pins, pinned to 5 for stock. Supplied with two keys.
- **Cylinder Options:** Accepts 6 or 7 pin interchangeable cores. Supplied less cores. Will accept Best™, Falcon™, and Medeco KeyMark Series type cores.

E61 Single Cylinder
Deadlock (Interior)
Thumbturn



E62 Double Cylinder
Deadlock (Exterior)



Available Finishes from Stock

See page 21 for
available finishes.



Features Include:

- **Housing:** Two-piece housing, with free-spinning outer ring to prevent wrenching. Concealed mounting screws are standard on double cylinder functions.
- **Deadbolt:** 1" (25.40mm), solid steel deadbolt throw with hardened steel pin.
- **Backset:** 2-3/8" (60.32mm), 2-3/4" (69.85mm).
- **Deadbolt fronts:** 2-1/4" (57.15mm) x 1" (25.40mm) standard for 2-3/8" (60.32mm) backset, 2-1/4" (57.15mm) x 1-1/8" (28.57mm) standard for 2-3/4" (69.85mm) backset. Drive-in deadbolts are available.
- **Doors:** 1-3/8" (34.925mm) to 1-3/4" (44.45mm) thick standard.
- **Strikes:** Supplied standard with two strikes. #345—security strike for steel frame. #346—security strike for wood frame.
- **Handing:** All functions are reversible.
- **Cylinder, Standard:** Solid brass, Arrow "A" keyway, drilled for 6 pins, pinned to 5. Supplied with two keys.
- **Cylinder Options:** Accepts 6 or 7 pin interchangeable cores. Supplied less cores. Will accept Best™, Falcon™, and Medeco KeyMark Series type cores.

D61 Single Cylinder Deadlock (Interior) Thumbturn



D62 Double Cylinder Deadlock (Exterior)



How to Order Deadlocks

--	--	--

SERIES FUNCTION FINISH

E	60	US3
D	61	US10
	62	US26D
	63	
	64	

OPTIONS

Less Cylinder

Call our Sales department - toll free - for current pricing on all Arrow products



S1150 / S1250 Series Exit Devices

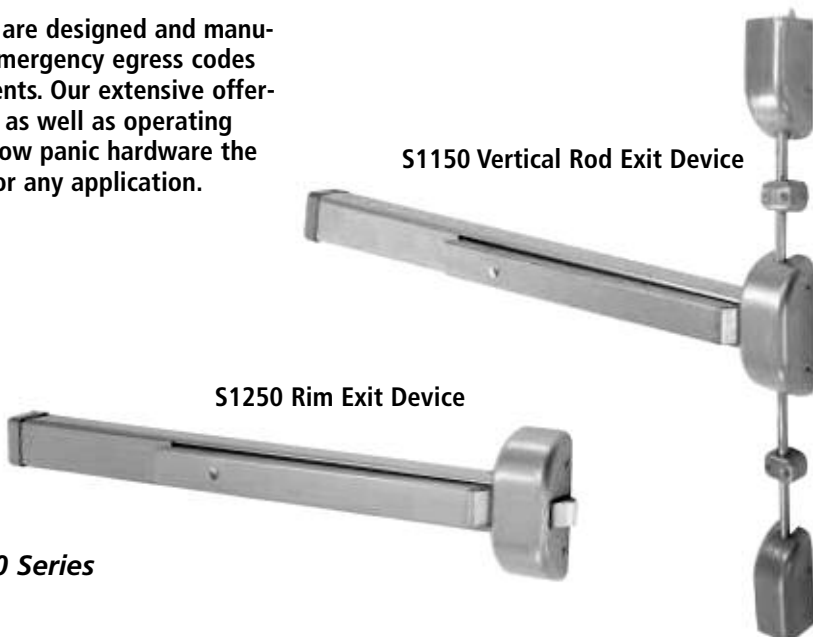
Arrow exit devices are designed and manufactured to meet emergency egress codes and ADA requirements. Our extensive offering of trim designs as well as operating functions make Arrow panic hardware the specifier's choice for any application.

Available Finishes from Stock

See page 25 for
available finishes.

S1150 Vertical Rod Exit Device

S1250 Rim Exit Device



S1150 and S1250 Series

General

Specifications	S1150	S1250
Chassis & Cover	Non-ferrous alloy	Non-ferrous alloy
End caps	Metal	Metal
Doors	1-3/4" (44.45mm) thick, 3-3/4" for single doors, wood or hollow metal 3-1/2" (88.90mm) minimum stile for double doors	1-3/4" (44.45mm) thick, hollow metal 4-1/2" (114.3mm) minimum stile
Handing	Reversible	Non-handed
Dogging	Allen-type key standard, cylinder available.	Allen-type key standard, cylinder available.
Top/Bottom Bolts/ Latchbolt	Brass 1/2" (12.7mm) throw top, 3/4" (19.05mm) bottom	3/4" (19.05mm) throw, stainless steel
Throughbolts	Order separately	Order separately
Rail Assembly	Steel	Steel
Rail Size	F Rail furnished standard for doors up to 36", can be cut down to accommodate 32" doors. E Rail for doors up to 32", can be cut down to accommodate 24" doors. G Rails for doors up to 48", can be cut to accommodate 36" doors.	F Rail furnished standard for doors up to 36", can be cut down to accommodate 32" doors. E Rail for doors up to 32", can be cut down to accommodate 24" doors. G Rail for doors up to 48", can be cut to accommodate 36" doors.
Rods	90" – extension kits available	N/A



Contact us Toll Free at 1-800-321-9602 Fax 1-800-328-6070

S1800 Series Exit Devices Exit Alarms



S1800 Rim Exit Device



130
Exit Alarm

S1800 Series

General Specifications	S1800
Chassis	Pressure formed non-ferrous alloy
Chassis and End Covers	Cold drawn brass, bronze or stainless steel
Door Thickness	1-3/4" (44.45mm) standard, available for thick doors
Handing	Handed. Specify LHRB or RHRB
Dogging	Allen type only
Top/Bottom Bolts	N/A
Latchbolt	Stainless steel, 5/8" (15.875mm) throw
Crossbar Arms	Forged brass and stainless steel
Crossbar	1" (25.40mm) brass, bronze and stainless steel tubing, .062" (1.5875mm) thick
Crossbar Projection	4-1/2" (114.3mm) neutral, 2-3/4" (69.85mm) depressed
Opening Height	N/A
Fire Exit	4' x 7'2" single door
Hardware-up to:	8' x 7'2" pairs of doors with S21 mullion

130 Series – 15 second delay upon arming permits key holder to exit door without sounding alarm. Low battery alert causes unit to chirp intermittently to indicate low battery power. Red LED indicator flashes when violation occurs. Light continues to flash beyond alarm cycle and can only be turned off by the inside key.



330
Exit Alarm



430 Exit Alarm

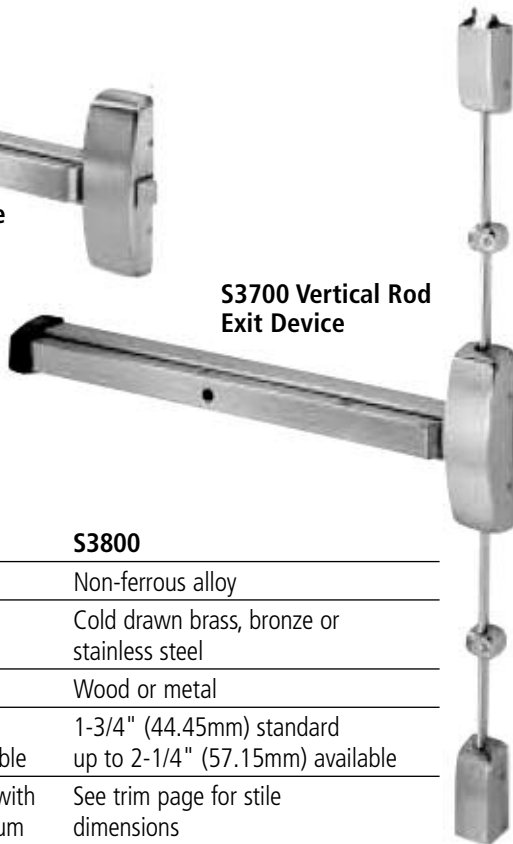
Model 330 – Auto relatching. Red LED indicator flashes when violation occurs. Light continues to flash beyond alarm cycle and can only be turned off by the inside key. One chassis will accept all available trim options. Unit must be activated to test available battery power. Low battery alert feature causes unit to chirp intermittently to indicate low battery power.



S3000 Series Exit Devices



S3800 Rim Exit Device



S3700 Vertical Rod Exit Device

Available Finishes from Stock

See page 25 for available finishes.

S3700 and S3800 Series

General Specifications	S3700	S3800
Chassis	Non-ferrous alloy	Non-ferrous alloy
Chassis Cover	Cold drawn brass, bronze or stainless steel	Cold drawn brass, bronze or stainless steel
Door Types	Wood or metal	Wood or metal
Door Thickness	1-3/4" (44.45mm) standard up to 2-1/4" (57.15mm) available	1-3/4" (44.45mm) standard up to 2-1/4" (57.15mm) available
Stile	4-1/2" (114.30mm) minimum with trim, 3-1/2" (88.90mm) minimum without trim.	See trim page for stile dimensions
Mounting	Supplied with wood and machine screws. Available with thru bolts.	Supplied with wood and machine screws. Available with thru bolts
Handing	Handed. Specify LHRB or RHRB	Handed. Specify LHRB or RHRB
Dogging	Allen type standard. Available with cylinder dogging (prefix "CD")	Allen type standard. Available with cylinder dogging (prefix "CD")
Top/Bottom Bolts	Brass	N/A
Latchbolt	N/A	Stainless steel, 3/4" (19.05mm) throw
Rail	Roll-formed brass, bronze or stainless steel	Roll-formed brass, bronze or stainless steel
Rail Projection	3-1/4" (82.55mm) maximum	3-1/4" (82.55mm) maximum
Opening Height	90" (2286.00mm) standard	N/A
Fire Exit	4' x 8' single door	4' x 8' single door
Hardware-up to:	8' x 8' pairs of doors	8' x 8' pairs of doors with S21 mullion.



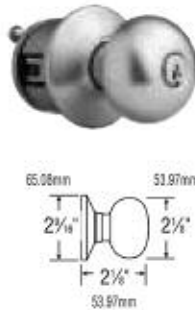
Exit Alarm, S1150 & S1250 Exit Device Trim

SF



TA

Knob: T – Wrought
Rose: A – Wrought



Sierra SR

Lever: S – Cast
Rose: R – Wrought

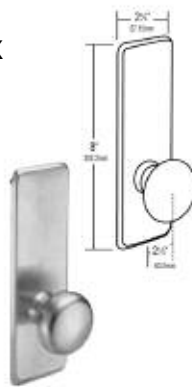


S1800 & S3000 Exit Device Trim

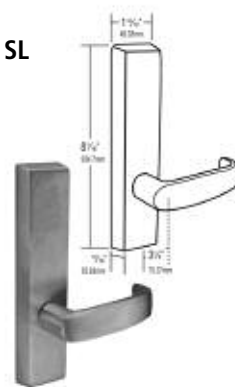
SP



SK



SL



- 01 Exit only; no outside trim.
- 02 Entry by trim when actuating bar is locked.
- 03 Entry by trim when latchbolt retracted by key. Key removable only when trim is locked.
- 05 Entry by thumbpiece when thumbpiece locked/unlock by key.
- 05A Entry by thumbpiece; thumbpiece always operative, no outside cylinder.
- 08 Entry by knob/lever; outside key locks, unlocks knob/lever.
- 08A Entry by knob/lever; outside knob/lever always operative.
- 12 Entry by auxiliary control turnpiece only when released by turning key. Key removable only when locked.

TRIM DESIGN	FINISHES		
	AL	BRZ	US10B US26D
SF	•	•	
TA			•
SR		•	•
SK			•
SL			•
SP			•

Unless otherwise specified, exits will be furnished standard for RHR, 1-3/4" thick door, 36" width x 84" height.

900N Series

- **Non-handed:** For regular, top jamb and parallel arm mount.
- **Valves:** Two non-critical adjusting valves (sweep and latch) with thermostatic properties work to provide consistent closing speeds through a wide range of temperatures.
- **Backcheck:** Adjustable backcheck standard. Provides cushioning for uncontrolled door openings.
- **Delay door closing:** Available with optional delayed action to delay door closing for maximum opening. This delay time is adjustable.
- **Self-tapping screws:** Available with optional self-tapping screws for installation on metal doors and frames.
- **Mounting Bracket:** BPC900 mounting bracket can be used when installing into a 9-1/6" template hole pattern.
- **Warranty:** 10 years

5000N Series

- **Non-handed:** for regular, top jamb and parallel arm applications. Backcheck—Adjustable backcheck is standard. Provides cushioning for uncontrolled door openings.
- **Backcheck:** positioning valve is standard. Maintains effective backcheck range on parallel arm applications. The valve is accessible while the closer is installed.
- **Delayed action:** Available with optional delayed action adjusted with a separate independent valve. Delays door closing to allow unimpeded passage through the opening.
- **Streamline:** (slim) plastic cover standard. Full plastic cover is available.
- **Designed:** to minimize change in closing speed during severe temperature changes.
- **Optional arms:** Full complement of optional arms, plates and brackets for special applications.
- **Warranty:** 10 years

How to Order Arrow Door Closers

SERIES	FINISH
914N	AL
916N	
5016N	

Door closers will be furnished standard from Akron Hardware with parallel arm, top jamb and regular mounting options. Also included are sex nuts for 1-3/4" door. 6000 Series available from stock. Call for more details.

